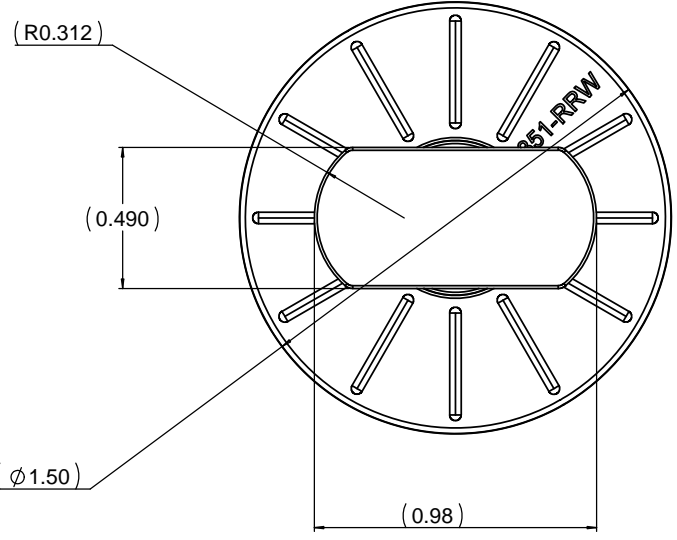
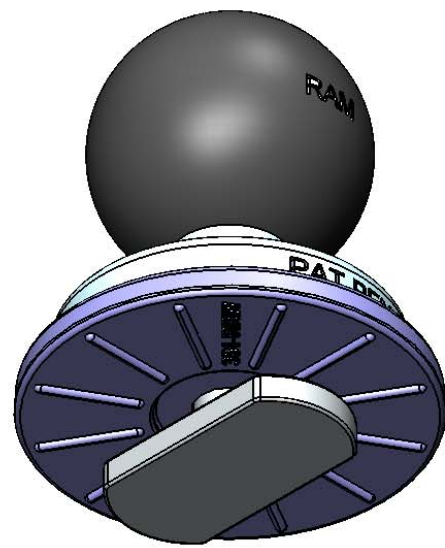
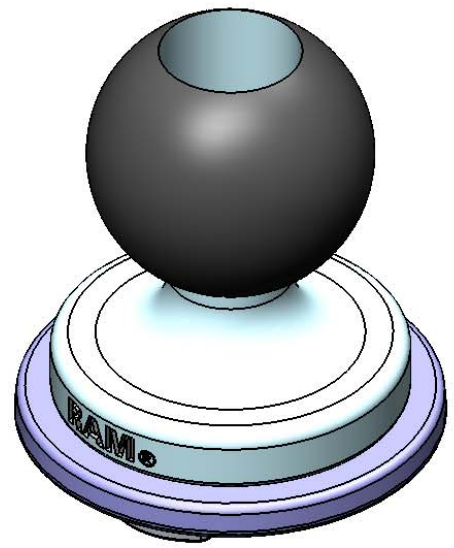
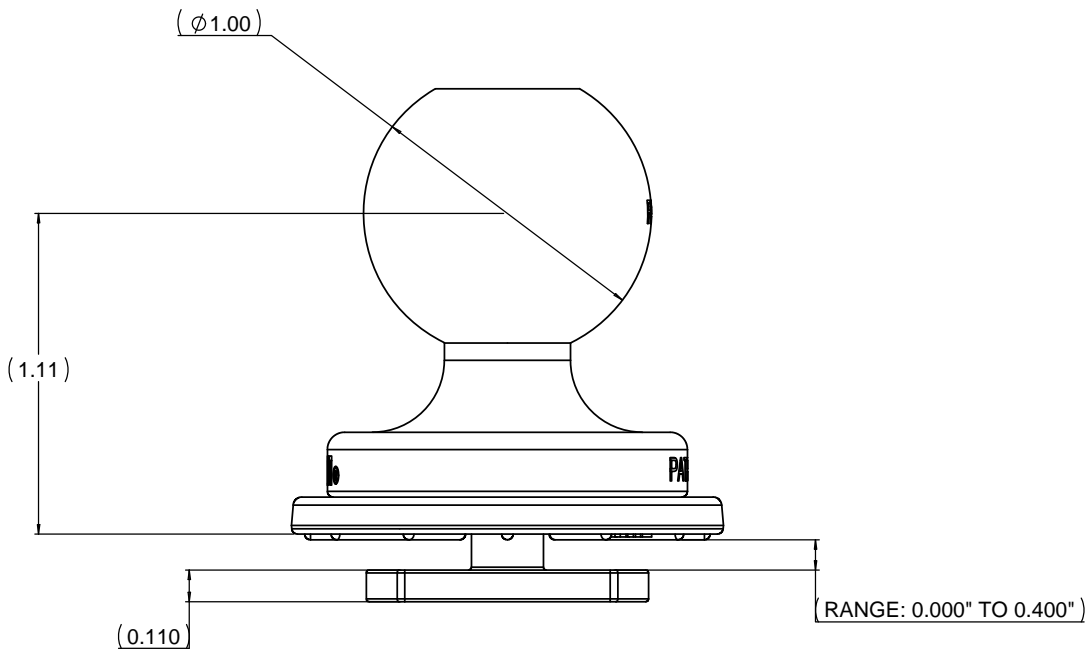


8 7 6 5 4 3 2 1
 THE INFORMATION CONTAINED IN THIS DRAWING IS THE SOLE PROPERTY OF NATIONAL PRODUCTS INC. ANY REPRODUCTION IN PART OR WHOLE WITHOUT THE WRITTEN PERMISSION OF NATIONAL PRODUCTS INC. IS PROHIBITED.

REV	DESCRIPTION	REVISIONS	DATE	APPROVED



UNLESS OTHERWISE SPECIFIED DIMENSIONS ARE IN INCHES		CAD GENERATED DRAWING. DO NOT MANUALLY UPDATE		NATIONAL PRODUCTS INC.	
TOLERANCES ARE:		APPROVALS	DATE	RAM 1" DIAMETER TRACK BALL WITH STST T-BOLT	
FRACTIONS	DECIMALS	DRAWN	JDC	07/28/16	
$\pm 1/32$	$.XX \pm .04$	CHECKED	CMR	07/28/16	
ANGLES	$\pm 1 \text{ DEG}$	RESP ENG			
XXX	$\pm .020$	MFG ENG			
MATERIAL	PLASTIC, RUBBER, STST	DUAL ENG			
FINISH	BLACK				
DO NOT SCALE DRAWING		SCALE	1 TO 1	CAD FILE	RAP-B-354U-TRA1
		SHEET	1	OF	1