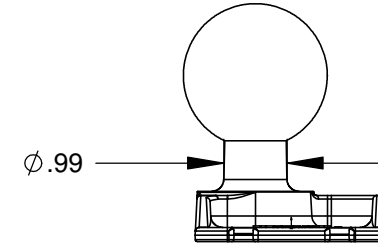
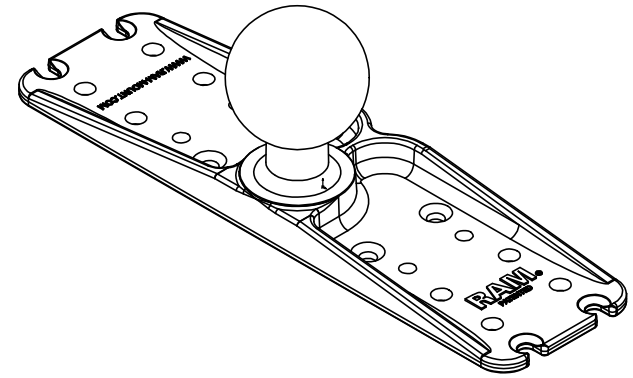
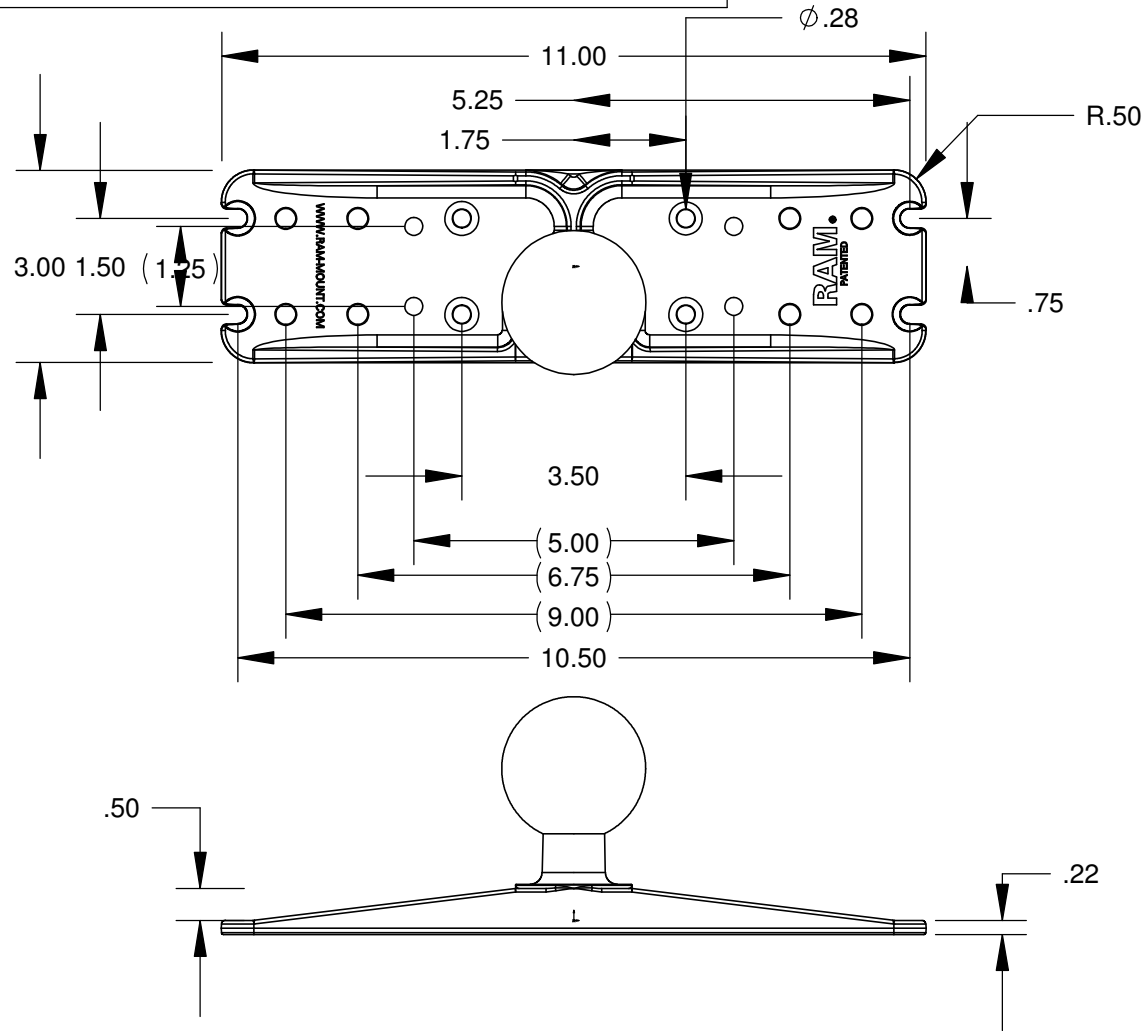


THE INFORMATION CONTAINED IN THIS DRAWING IS THE SOLE PROPERTY OF NATIONAL PRODUCTS INC. ANY REPRODUCTION IN PART OR WHOLE WITHOUT THE WRITTEN PERMISSION OF NATIONAL PRODUCTS INC. IS PROHIBITED.



ITEM NO.	PART OR IDENTIFYING NO.	NOMENCLATURE OR DESCRIPTION	MATERIAL SPECIFICATION	QTY REQD
PARTS LIST				
UNLESS OTHERWISE SPECIFIED DIMENSIONS ARE IN INCHES TOLERANCES ARE:		CAD GENERATED DRAWING, DO NOT MANUALLY UPDATE	NATIONAL PRODUCTS INC. 1017 S. ELMGROVE ST. SEATTLE, WA 98108	
FRACTIONS DECIMALS ANGLES + - 1/32 .XX+ -.06 + - 1 DEG. .XXX+ - .030				
		APPROVALS	DATE	
		DRAWN JDC	01/12/01	
		CHECKED		
MATERIAL 713 ALUMINUM		RESP ENG		
FINISH BLACK POWDER COAT		MFG ENG		
NEXT ASSY	USED ON	QUAL ENG		
APPLICATION		DO NOT SCALE DRAWING		
		SCALE	DWG. NO. RAM-D-111B	REV.
		CAD FILE:	SHEET 1	OF 1