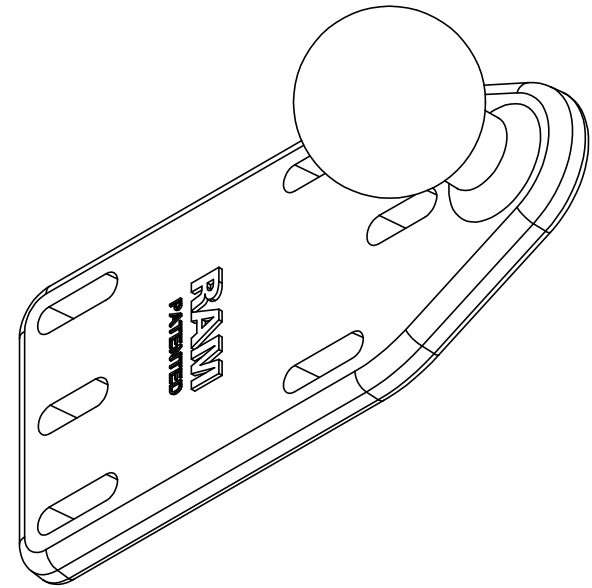
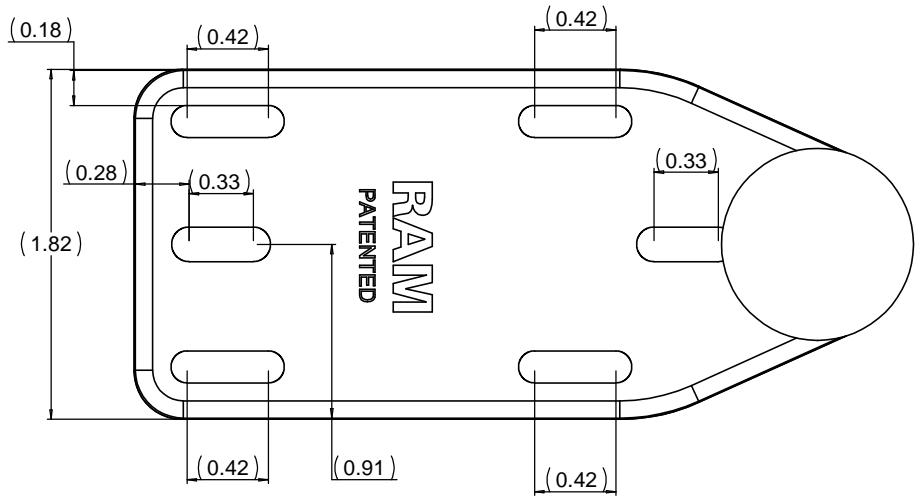
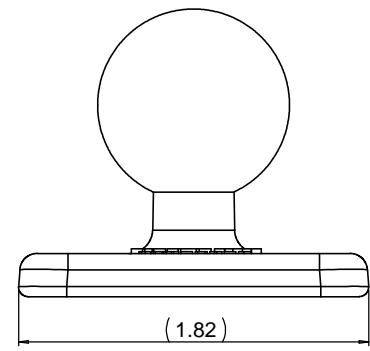
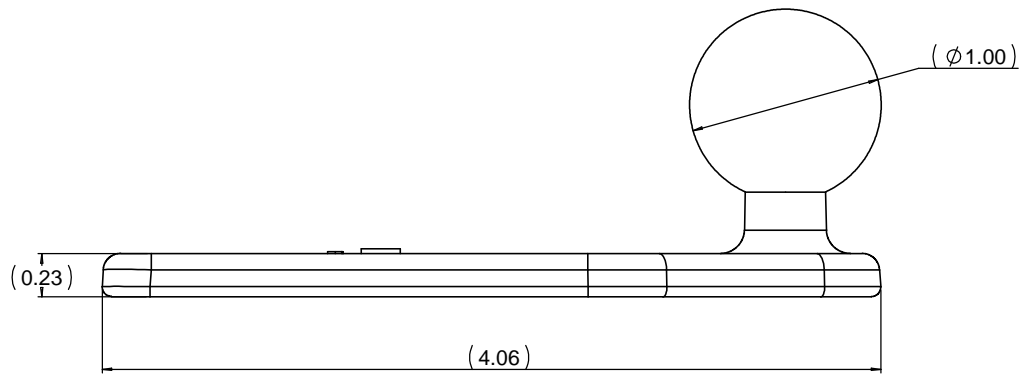


THE INFORMATION CONTAINED IN THIS DRAWING IS THE SOLE PROPERTY OF NATIONAL PRODUCTS INC. ANY REPRODUCTION IN PART OR WHOLE WITHOUT THE WRITTEN PERMISSION OF NATIONAL PRODUCTS INC. IS PROHIBITED.

REV.	DESCRIPTION	REVISIONS	DATE	APPROVED



UNLESS OTHERWISE SPECIFIED DIMENSIONS ARE IN INCHES TOLERANCES ARE: FRACTIONS: DECIMALS ANGLES +/- 1/32 .XX+ .03 +1 DEG. .XXX+ .010	CAD GENERATED DRAWING. DO NOT MANUALLY UPDATE		NATIONAL PRODUCTS INC.	
	APPROVALS	DATE	RAM SIDE RESEVOIR BASE WITH / 7/16" POST AND 1" DIA BALL	
MATERIAL	DRAWN	CHECKED	DATE	REV.
MIXED	JDC	CMR	1/07/11	
BLACK				
DO NOT SCALE DRAWING	QUAL ENG	SCALE 1 TO 1	CAD FILE: RAMB346	SHEET 1 OF 1